

## Next generation visible lasers

AURORA ONE 532-0.8	
Emission wavelength	532 nm $\pm$ 1 nm
Output power	> 0.8 W
Spectral linewidth	< 0.1 pm
Spectral drift	< 0.05 nm (8 h)
Power drift	< 2% (8 h)
Beam quality	$M^2 < 1.3$
Polarization	Linear
Output noise (RMS)	< 0.1%, 100 Hz – 45 MHz
E $\rightarrow$ O efficiency	> 2%
Cooling	Air cooled
Beam waist diameter	$\sim$ 1.5 mm
Beam pointing stability	< 10 $\mu$ rad/ $^{\circ}$ C
Ellipticity	< 10%
Degree of Polarization	> 99%
Control	PC (USB / RS232)
Dimensions, laser head	140 x 89 x 50 mm <sup>3</sup>

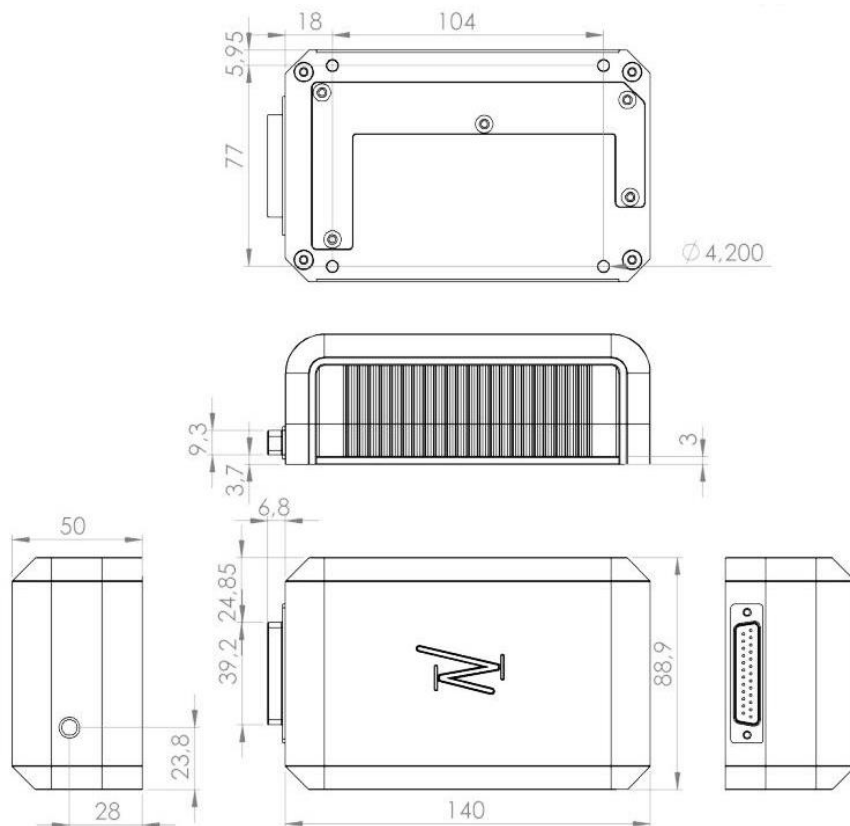


- ✓ Turn-key, compact diode based visible lasers
- ✓ High-brightness, Watt class, ultra-low noise
- ✓ 488 nm, 532 nm, 561 nm, and custom wavelengths

Replace your gas or DPSS laser

*Tapered diode lasers enable simple, high-quality lasers in compact, uncooled format – and at flexible choice of wavelengths.*

# Laser head



# Power supply



Norlase, Denmark  
email: [sales@norlase.com](mailto:sales@norlase.com)  
web: [www.norlase.com](http://www.norlase.com)

